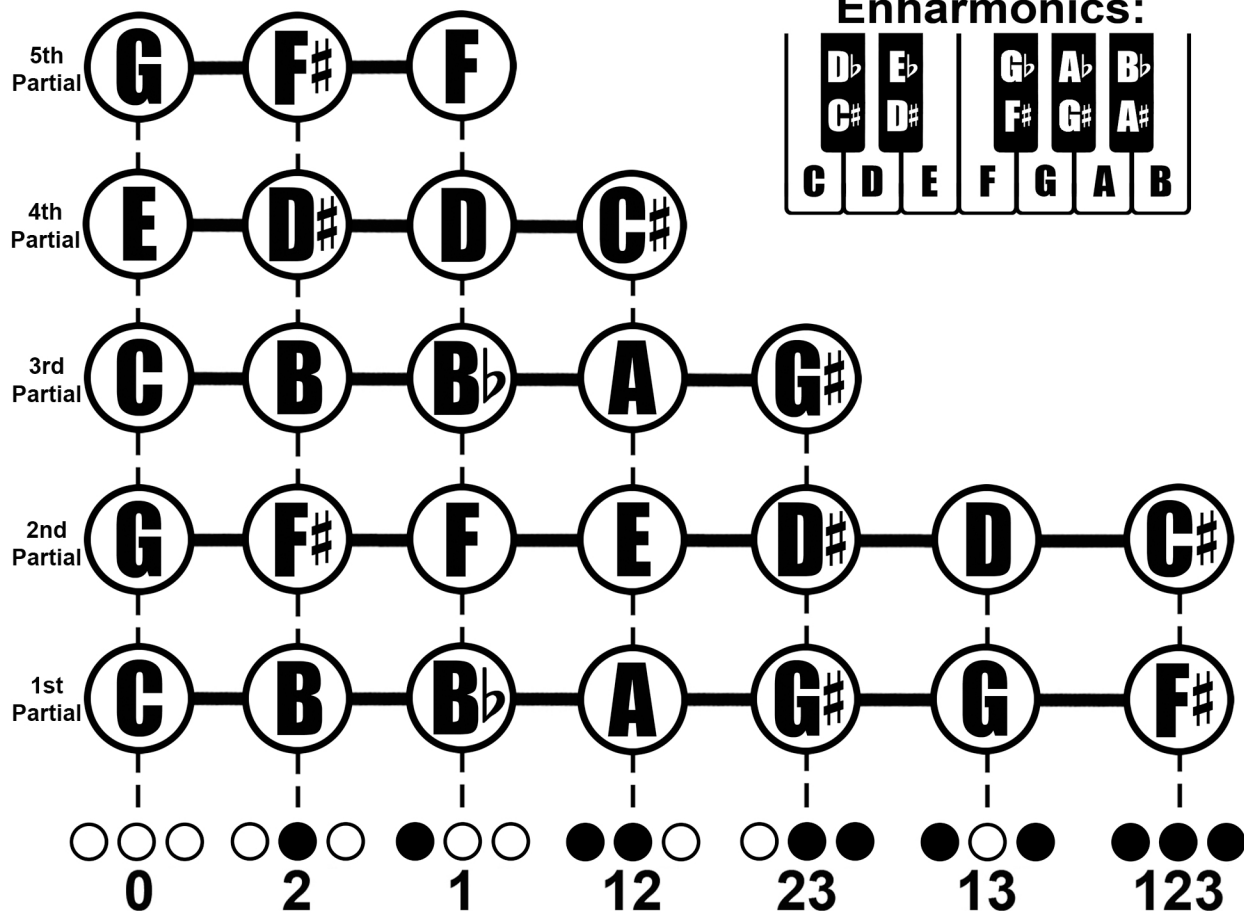
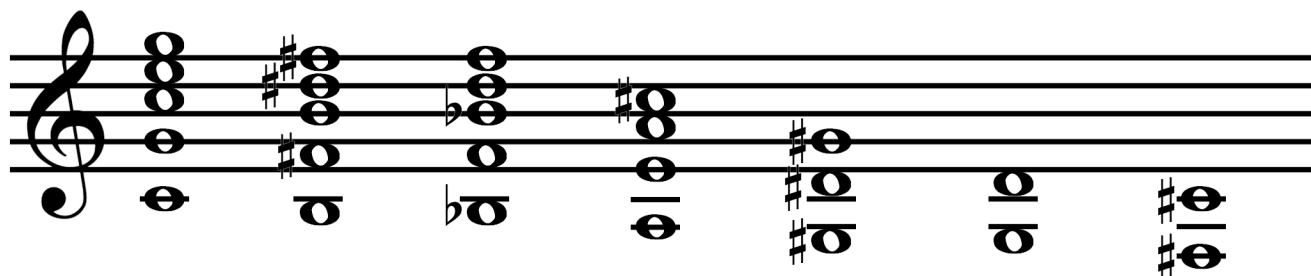


# Essential Range Trumpet Fingering Chart



Correlates with  
**STEPWISE FLASHCARDS**  
[www.fingeringcharts.org](http://www.fingeringcharts.org)